



Oil & Gas Systems Limited

Company Profile



OGS designs and manufactures high quality metering and packaged process systems for the oil, gas, petrochemical and power generation industries.

Our primary product groups are:

- Metering – Liquid and gas metering (fiscal, custody transfer and allocation), sampling & analysis and prover systems
- Process – Fuel gas conditioning systems, gas compression & turboexpander packages.
- Engineering Services – Conceptual, front end and detailed design engineering for packages within our core product range; on-site equipment surveys/audits
- After Sales Services – Site supervision of installation and commissioning, training, service & support contracts and spares management



Our bespoke engineered systems are produced in accordance with client specifications and local/international standards. OGS' expert team is focused on providing the highest quality whilst ensuring reliably managed delivery schedules and accurate, timely documentation.

OGS undertakes the complete design and supply of skid mounted or packaged equipment and our scope of supply typically covers all stages of project execution including:

- Detailed design and engineering
- Project management
- Manufacture
- Calibration, integrated testing and certification
- Start-up and commissioning supervision
- Shipping and packing
- Training and support

Since the company was established in 1989, we have continuously developed our approach to design, procurement, project management, assembly, testing and supply of packaged equipment.

OGS was one of the first systems integrators to achieve ISO 9001 approval. Now, our approvals include:

- ISO 9001:2015 - Quality Management System Registration
- ISO/TS 29001:2020 - Petroleum, petrochemical and natural gas industries - Sector Specific Quality Management System
- ISO 45001:2018 - Health & Safety Management System

We are approved by a wide range of operating companies worldwide which include BP, Shell, Chevron, BG, Saudi Aramco, PDO and ADNOC Group Companies, KOC and KNPC. OGS is also a registered supplier with Oil and Gas Europe, previously known as Achilles JQS and Achilles FPAL. We are also registered on the UK Achilles UVDB (Utilities Vendor Database).

Workshops

OGS is one of only a few systems integrators to have our own fabrication, manufacturing and assembly workshops. Our UK based fabrication facilities have completed modules up to 368 tonnes and up to 35m (L) x 13m (W) x 10m (H).

A 'black build' of all packages is included in the schedule and carried out prior to Non - Destructive Testing (NDT) and painting. This milestone allows mechanical fit-up and positional welding to ensure no clashes and a perfect fit during final assembly. From a customer perspective, it offers the opportunity to view the product at an early stage in the schedule and request any necessary alterations.



We undertake the installation and hook-up of electrical and pneumatic instrumentation and controls. All necessary visual, pressure test and NDT inspections are carried out as required and full package Functional Acceptance Testing (FAT) in accordance with client requirements.

Wet flow testing for Liquid Metering Skids can also be provided if required.

Clean workshops are available for the manufacture and testing of sampling and analysis systems and complete analyser houses.

Workshop	Size (m ²)	Overhead Cranes	Door Openings
Fabrication Workshop	1000	3.2 & 10 tonne	5.5m (W) x 4.9m (H)
Assembly Workshop	1000	3.2, 8 & 24 tonne	8.5m (W) x 5m (H)

Materials of construction include carbon steel, stainless steel and duplex alloys.



Coded work capability:

- Structural Steel: AWS D1, EN 15614
- Piping: ASME B31.1, B31.3, B31.4 & B31.8

Additional Info:

- 5 Overhead cranes ranging up to 24 tonnes
- Machining area
- 3 Fabrication bays
- 3 Welding bays
- 3 Pipe fabrication bays
- Dedicated 300m² stainless steel fabrication area

Key stages of typical project workflow are reflected below.

OGS
Oil & Gas Systems Limited

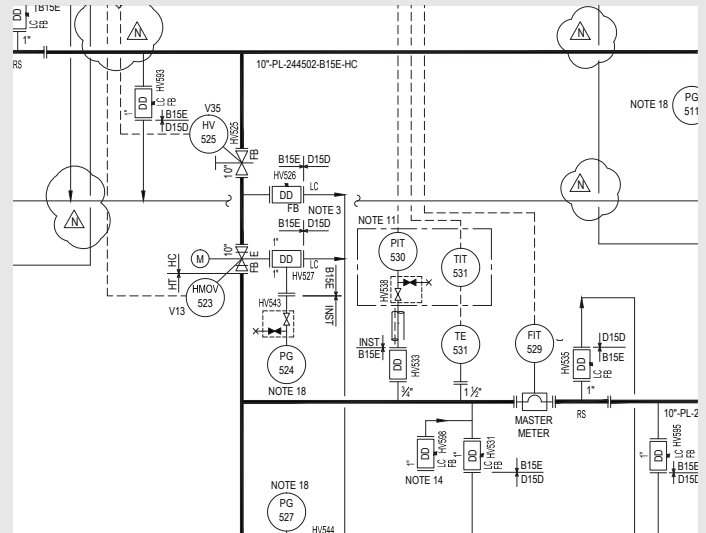
Oil & Gas Document Management System

home | admin | SDR | SDR by CDID | List | Internal docs | Not returned | Late returns | Not issued | Outstanding revisions | Late OGSGL submittals | Doc Status

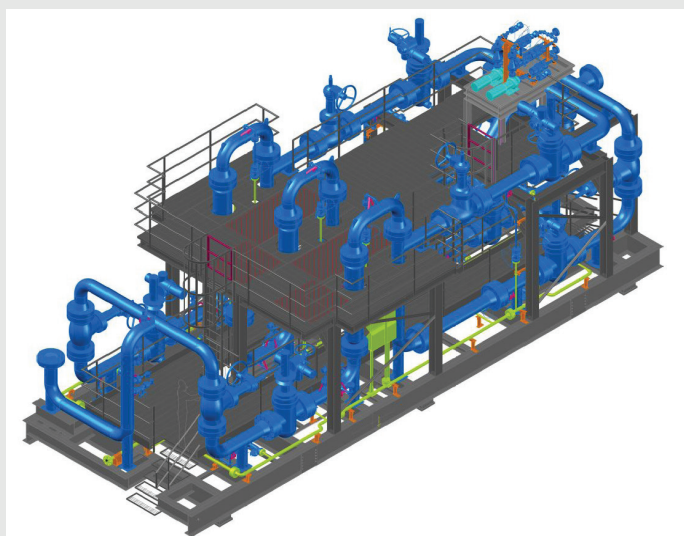
Supplier Document Register - Customer Format

Customer Doc. ID	OGSL ID	Supplier Doc. ID	Title Subtitle	Required Date	Submission Date	Trans. No.	Return Date	Review Status
A01-0001	C202-4001-001-003-Q	-	Supplier Document Register	06-Sep-2013	23-Aug-13	409	25-May-14	Approved
A02-0001	C202-4002-001-003-Q	-	Production Schedule Fabrication Production Schedule	15-Aug-2013	02-Aug-13	322	12-Aug-13	Approved
A03-0001	C202-000-002-003-A Internal	-	Custom Document PROGRESS REPORT	-	-	-	-	-
A04-0001	C202-400-001-003-K	-	Custom Document Bought Out Item List (Schedule of Sub-Orders)	10-Oct-2013	27-Sep-13	415	11-Oct-13	Approved
B01-0001-01	C202-001-001-005-H	-	General Arrangement Drawing Oil Export Metering Skid Z-24401	23-Jan-2013	09-Jan-13	240	11-Jan-13	Approved
B01-0002-01	C202-004-001-005-E	-	Panel General Arrangement Drawing Oil Export Sales Gas & Control Panel	07-Aug-2013	24-Jul-13	200	31-Jul-13	Approved
B01-0002-02	C202-004-001-002-A	-	Panel General Arrangement Drawing Oil Export Sales Gas & Control Panel	28-Jun-2012	24-Jul-13	200	13-Aug-13	Approved
B01-0002-03	C202-004-001-003-B	-	Panel General Arrangement Drawing Oil Export Sales Gas & Control Panel	28-Aug-2013	14-Aug-13	354	19-Sep-13	Approved
B01-0003-01	C202-001-004-003-H	-	General Arrangement Drawing Sales Gas Metering Skid	03-Jan-2013	20-Dec-12	225	28-Jan-13	Approved
B01-0005-01	C202-001-002-002-H	-	General Arrangement Drawing Oil Sampling System Cabinet SSP-24402	26-Feb-2013	12-Feb-13	222	21-Feb-13	Approved
B01-0006-01	C202-001-003-001-H	-	General Arrangement Drawing Sales Gas Analyser Shelter SSP-33001	14-May-2013	30-Apr-13	235	01-May-13	Approved
B01-0007-01	C202-001-009-001-C	SS1004940-M0001 (Krohne)	General Arrangement Drawing Coriolis Meter	23-Aug-2012	22-Aug-12	138	31-Aug-12	Approved
B01-0008-	C202-001-	-	General Arrangement Drawin	13-Feb-	-	-	31-	-

OGS Patented Document Control System



Intelligent Process & Instrumentation Diagrams (P&IDs)



3D CAD Plant Modelling & Design



Completed Skid Package

Revision 06/2023